



# SmartFittings

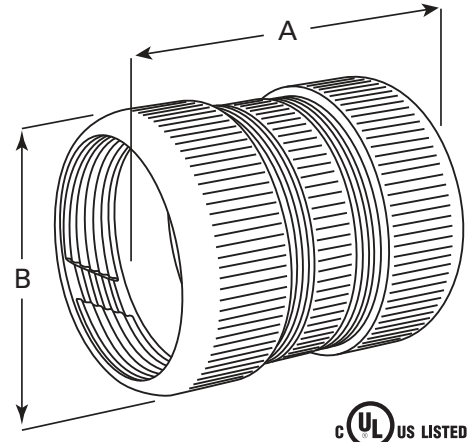
## UNIVERSAL COUPLINGS & CONNECTOR

The Madison Smart Fitting can be part of 10' GRC or IMC and used to couple with threaded GRC, IMC or non-threaded Rigid, IMC or EMT in 2 1/2" to 4" trade sizes.

Steel - Zinc Plated

Applicable third party standards for Madison Smart Fittings include:

- cULus Listed to UL 514B; C22.2 No. 18.3-12
- UL File # E207875
- US Patent No. 8.586.881



### 5-PIECE COUPLING

Item#	Trade Size	Dim. A	Dim. B	Master Carton	Master Weight
MSF5CP250	2.5"	4.160"	3.450"	2	4.6 lbs.
MSF5CP300	3"	4.120"	4.080"	1	2.9 lbs.
MSF5CP350	3.5"	4.450"	4.590"	1	3.8 lbs.
MSF5CP400	4"	4.500"	5.090"	1	4.3 lbs.



### 3-PIECE COUPLING

Item#	Trade Size	Dim. A	Dim. B	Master Carton	Master Weight
MSF3CP250	2.5"	3.190"	3.450"	2	3.4 lbs.
MSF3CP300	3"	3.310"	4.080"	1	2.1 lbs.
MSF3CP350	3.5"	4.150"	4.590"	1	2.7 lbs.
MSF3CP400	4"	4.000"	5.240"	1	3.7 lbs.



### UNIVERSAL CONNECTOR

Item#	Trade Size	Dim. A	Dim. B	Master Carton	Master Weight
MSFCN250	2.5"	3.460"	3.450"	2	4.2 lbs.
MSFCN300	3"	3.490"	4.080"	1	2.7 lbs.
MSFCN350	3.5"	3.730"	4.590"	1	3.4 lbs.
MSFCN400	4"	3.810"	5.090"	1	3.9 lbs.





# Smart Fittings

UNIVERSAL COUPLINGS & CONNECTOR

## Universal couplings & connector

Madison Electric Smart Fittings have an innovative design that allows both threaded and unthreaded pipes (Rigid, IMC, EMT) in one fitting. Smart Fittings make the installation job far easier, saving both time and money.

For threaded pipes, Smart Fittings eliminate rotating the heavy 10" pipe in order to tighten it. Just a simple, quick turn of the compression nut gets the job done!

For non-threaded pipes, Smart Fittings eliminate the need to cut threads on the pipe, making the install job quick and easy.

- **Fast & easy installation reduces labor cost**
- **Reduces inventory**
- **Allows easy transitions for Rigid, IMC and EMT**
- **Connects to threaded or unthreaded product, eliminating field threading**



### UNIVERSAL CONNECTOR

**Joins conduit to conduit body or metal box, connects conduit when conduit cannot be turned**

Unthreaded Rigid / IMC / EMT to Conduit Body

Threaded Rigid / IMC to Metal Box

Unthreaded Rigid / IMC / EMT to Metal Box

Threaded Rigid / IMC to Conduit Body

### 5-PIECE COUPLING

**Joins two lengths of conduit, couples conduit when conduit cannot be turned**

Threaded Rigid / IMC to Unthreaded Rigid / IMC / EMT

Threaded Rigid / IMC to Threaded Rigid / IMC

Unthreaded Rigid / IMC / EMT to Unthreaded Rigid / IMC / EMT

### 3-PIECE COUPLING

**Joins two lengths of conduit, couples conduit when conduit cannot be turned**

Threaded Rigid / IMC to Threaded Rigid / IMC

Unthreaded Rigid / IMC / EMT to Threaded Rigid / IMC



ME products.net

