



# SMART BOX SHARK TOOTH

ITEM#: MSBST250

**PRODUCT DESCRIPTION:**

Shark Tooth Fixture Box

**APPLICATION:**

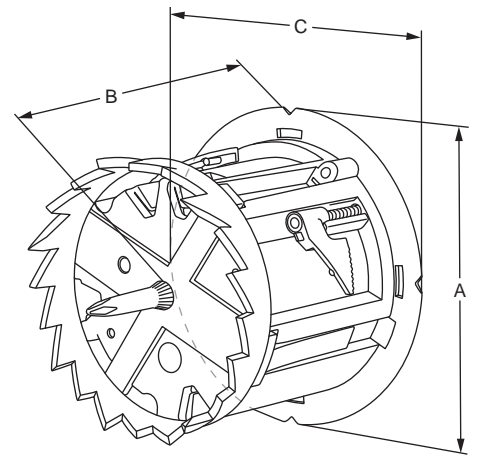
Cuts its own hole and mounts light fixtures, smoke and carbon monoxide detectors. Not for use on lath and plaster walls.

**FEATURES:**

The built-in hole saw creates the perfect sized hole every time. A piercing drill bit located at the center of the blade allows for location accuracy during installation. Raised mounting rings with center hole are located inside the back wall of the box for surface mount installations, basement or attic studs. Supports fixtures up to 6 lbs.

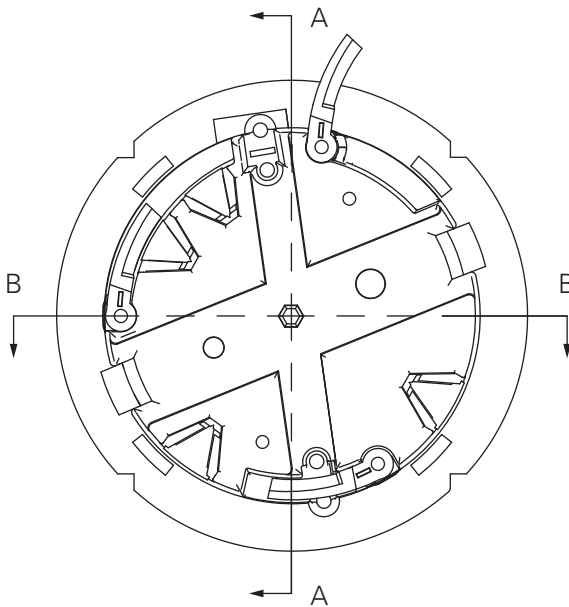
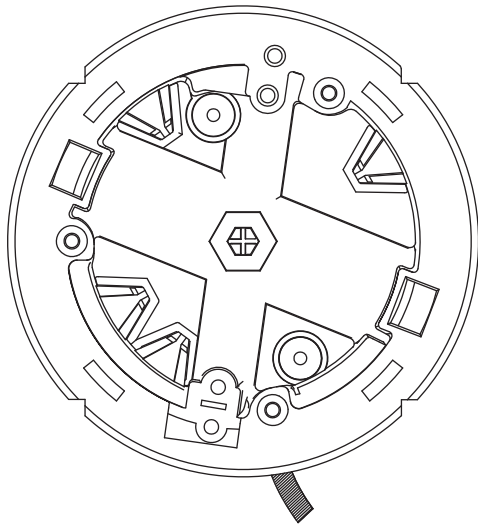


<b>ITEM #:</b>	MSBST250
<b>UPC:</b>	784297023101
<b>COUNTRY OF ORIGIN:</b>	China
<b>MATERIAL:</b>	Polycarbonate
<b>TRADE SIZE:</b>	3.0 - 4.0
<b>MASTER CARTON QTY:</b>	8
<b>MASTER WEIGHT:</b>	2.40 lbs.
<b>MASTER HEIGHT:</b>	4.63 in.
<b>MASTER WIDTH:</b>	9.88 in.
<b>MASTER DEPTH:</b>	15.38 in.
<b>ITEM WEIGHT:</b>	0.30 lbs.
<b>ITEM HEIGHT (A):</b>	4.38 in.
<b>ITEM WIDTH (B):</b>	4.38 in.
<b>ITEM DEPTH (C):</b>	2.69 in.
<b>VOLUME:</b>	16.50 cu. in.
<b>TYPE OF INSTALLATION:</b>	Old Work
<b>CERTIFICATIONS:</b>	UL Listed E205857, RoHS Compliant

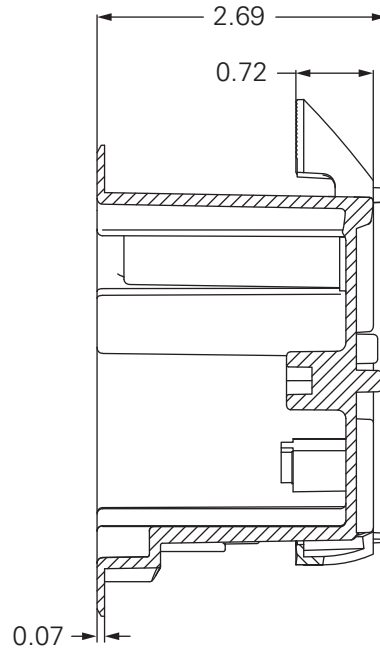
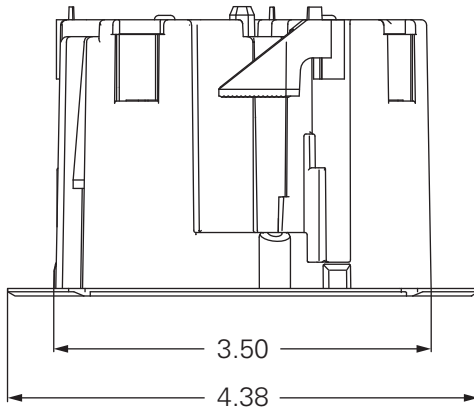


ME products.net





SECTION B - B



SECTION A - A

**NOTES**

1. BOX MATERIAL: POLYCARBONATE
2. UL LISTED
3. DIMENSIONS ARE IN INCHES

**PROPRIETARY & CONFIDENTIAL**

THE INFORMATION CONTAINED IN THIS DRAWING IS THE SOLE PROPERTY OF MADISON ELECTRIC PRODUCTS, INC. ANY REPRODUCTION IN PART OR AS A WHOLE WITHOUT THE WRITTEN PERMISSION OF MADISON ELECTRIC PRODUCTS, INC. IS PROHIBITED.



MADISON ELECTRIC  
meproducts.net

TITLE:

**SMART BOX  
SHARKTOOTH CEILING BOX**

PART NO.

**MSBST250**